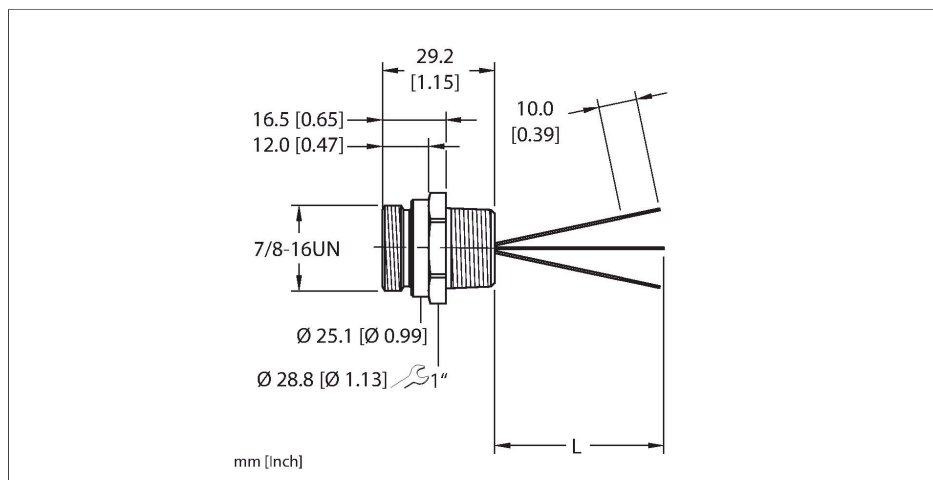


RSF 36-xM/NPT

Actuator and Sensor Receptacle – Front Mount



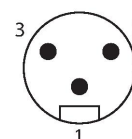
Features



- Female 7/8" minifast Receptacle, 3 pin
- Mounting thread: 1/2"-14 NPT

Contact assignment

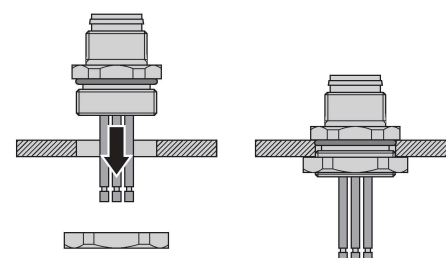
Connector A



Circuit Diagram



Front panel mounting



Technical data

Type	RSF 36-xM/NPT
ID	777003069
Connector A	Male, 7/8"-16 UN
Number of contacts	3
Contacts	Brass, CuZn, Gold-plated
Contact carriers	Plastic, TPU, Black
Housing material/finish	Brass, CuZn, Nickel-plated
Tightening torque (range)	3.5 ... 10.2 Nm (note max. torque of mating connector!)
Mounting orientation	Front mount
Mounting thread	1/2"-14 NPT
Receptacle mounting torque	3.5...10.2 Nm
Mechanical life	> 100 Mating cycles
Pollution degree	3
Protection class (When coupled)	IP67, IP68, IP69, IP69K NEMA: 1, 3, 4, 6P, 12
Total number of conductors	3
Conductor material	TC (tinned copper)
Conductor insulation material	PVC
Conductor size	16 AWG [Similar to 1.50 mm ²]
Conductor colors	GN/YL, BK, WH
Electrical properties at +20 °C	
Rated voltage	600 V
Current	10 A

Technical data

Mechanical and chemical properties

Ambient temperature range (static) -30 °C...+80 °C

Approvals
UL 2238
CSA C22.2 No. 182.3
CE
RoHS

Note

- We reserve the right to make technical alterations without prior notice.